

# API 6A/6D BALL VALVES

**CORTEC is setting industry standards with reliable ball valves.** In addition to industry-leading compact critical service API 6A valve products within the upstream oil and gas market, CORTEC offers an expanded valve range that is well-suited to various energy industry applications. We design and manufacture valve products under API 6A and 6D licenses. CORTEC provides a complete line of conventional flanged end API 6A and 6D ball valves, which benefit from our high-pressure and critical service application background. These models are configured in a range of various sizes, materials, and actuation options. They include CORTEC's advanced Metal-Seated technology, which sets standards for high-integrity performance, and GRIT SHIELD™ technology, which prevents seat spring pack-off by flow media.

All CORTEC products must pass rigorous testing prior to use in the field. These validation efforts include API 6A Annex F and API 6AV1 sand slurry certifications on most of our ball valve models. This standard provides the level of safety, integrity, and performance that our customers have come to expect of our brand. Our adaptable manufacturing processes, in combination with our hands-on design and engineering experience, assure the end user a solution tailored to their preferences without compromising quality, value, and delivery.



Our family of API 6A/6D ball valves can be tailored to suit a wide range of industry applications and requirements.

## INDUSTRY STANDARDS

- API 6A
- API 6AV1
- API 6D
- ASME 16.34 Complaint Designs
- API 6FA/607 Fire Rated Designs
- SIL 3 (available upon request)

## OPERATOR CONFIGURATIONS

- Bare Stem/Prepped for Actuator
- Manual Lever or Gear Operator
- Actuated: *Pneumatic, Hydraulic, Electric*



CORTEC can provide bare stem or turnkey valve assemblies with your preferred operator method.



**CORTEC**

**AMERICAN MADE. SUPERIOR GRADE.**

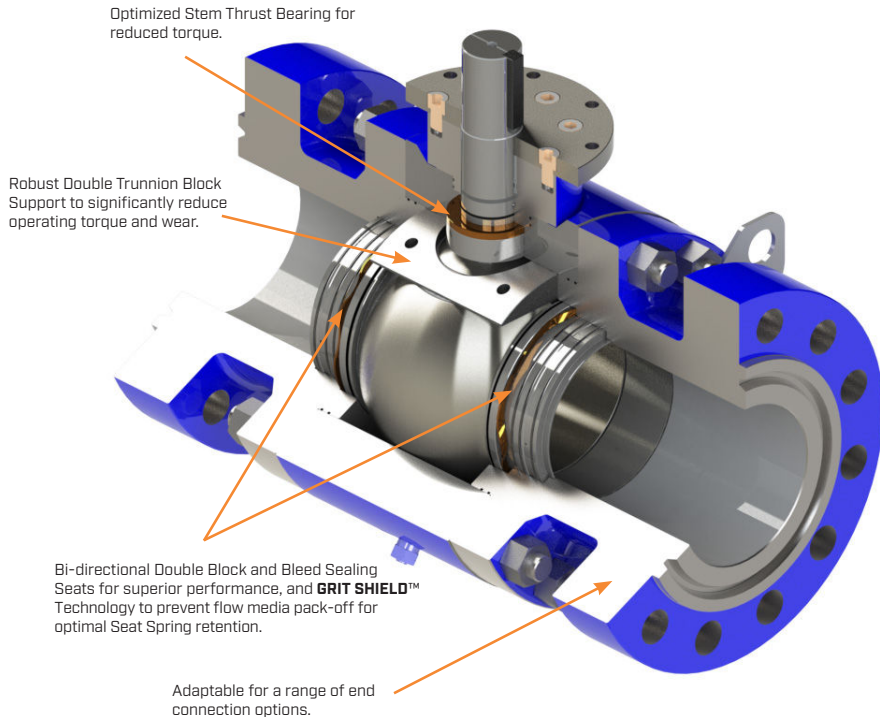
[uscortec.com](http://uscortec.com)

CORTEC proudly operates two US based manufacturing facilities in Louisiana.

V005\_60BV\_v1.04

# API 6A/6D BALL VALVES

## DESIGN FEATURES



- Bore Sizes: 1.5" to 24"
- Pressure Classes: ANSI CL150 to CL2500
- Pressure Classes: API 6A 2K-20K
- Double (DPE) and Single Piston Effect (SPE) Seal Options
- **GRIT SHIELD™** Technology for Optimal Seat Spring Performance
- Optimized Stem Thrust Bearing for Reduced Torque
- Material Options to suit most energy industry applications, including NACE Compliant Options
- Vent and Lubrication Ports
- Optional Stem and Seat Sealant Injection Ports
- Available in most Industry Standard Flanges
- Metal and Soft Seated Options
- Lip Seal and O-Ring Models (*most models offer redundant sealing*)
- 6" and up fitted with lifting eyes
- Double Block and Bleed (DBB) Models Available
- Double Isolation and Bleed (DIB) Models Available

**CORTEC's ball valves have been relied upon globally in the most critical applications.**



From BSDVs in the Gulf of Mexico to wellhead emergency shutdown valves, when you select a CORTEC product, you can be assured of high-level safety, integrity, and performance!

Contact our expert **Sales Team** today for more info at **225-421-3300** or **[sales@uscortec.com](mailto:sales@uscortec.com)**

*No other manufacturer strives to exceed their customers' needs and expectations more than CORTEC.*



**CORTEC**

**AMERICAN MADE. SUPERIOR GRADE.**

[uscortec.com](http://uscortec.com)

CORTEC proudly operates two US based manufacturing facilities in Louisiana.

V005\_6DBV\_v1.04